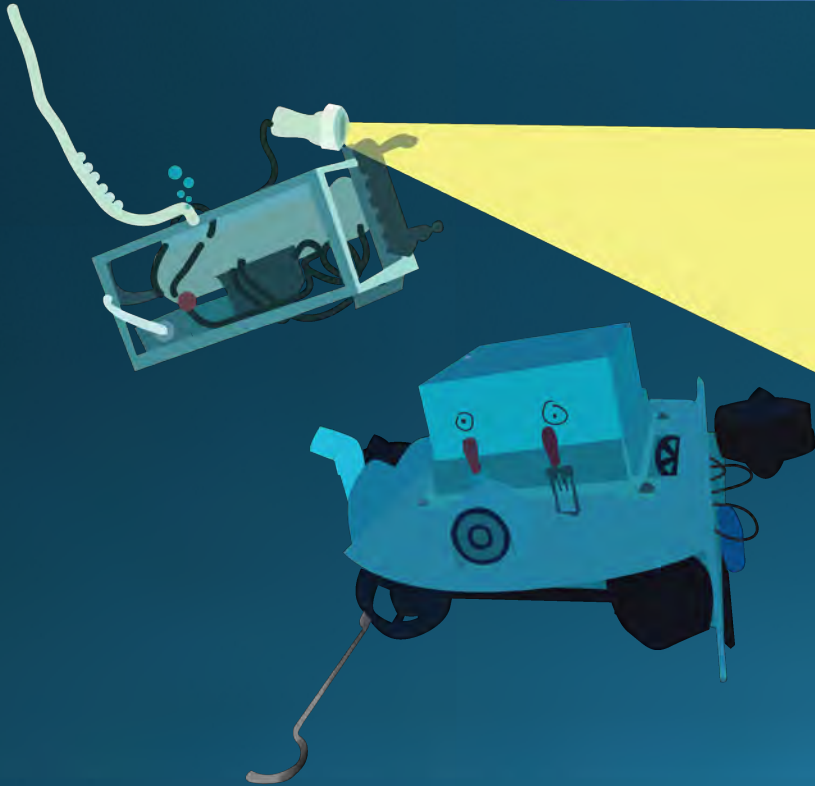
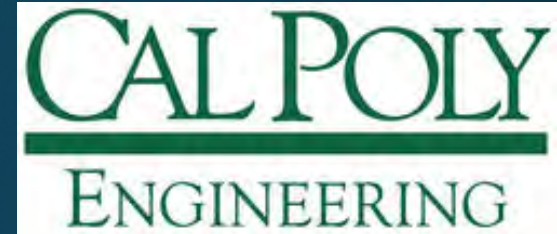
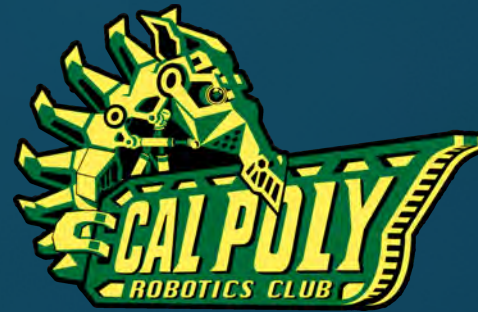


An awesome Cal Poly
Robotics Workshop

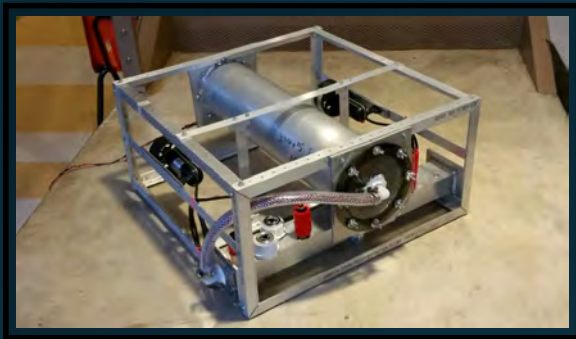
Budget ROV

By Andrew Hostler

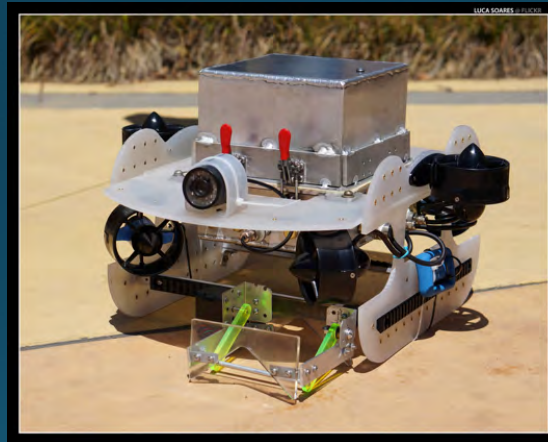


A Cal Poly Robotics Club Project
**Underwater Remotely
Operated Vehicle**

Past ROVs



2015



2016



2017

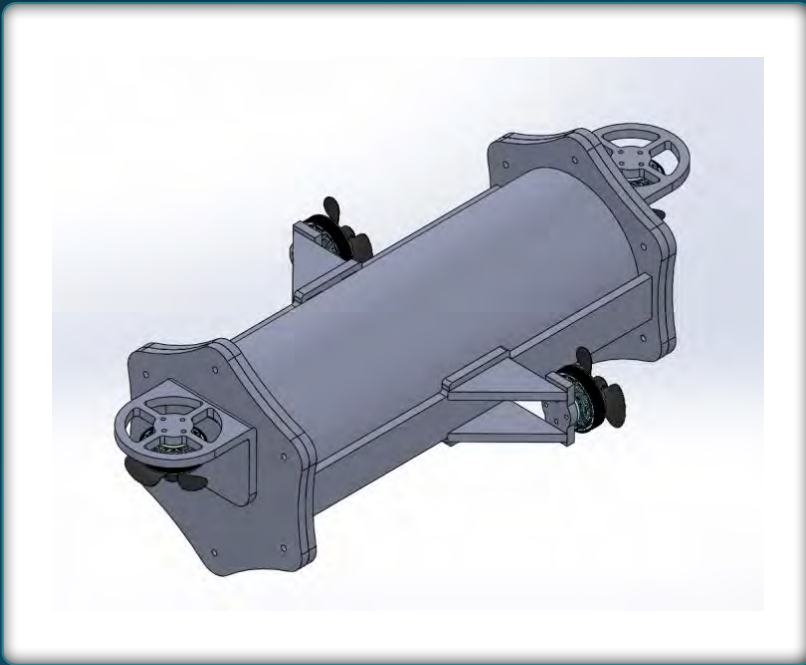
International Competition



Other publicity

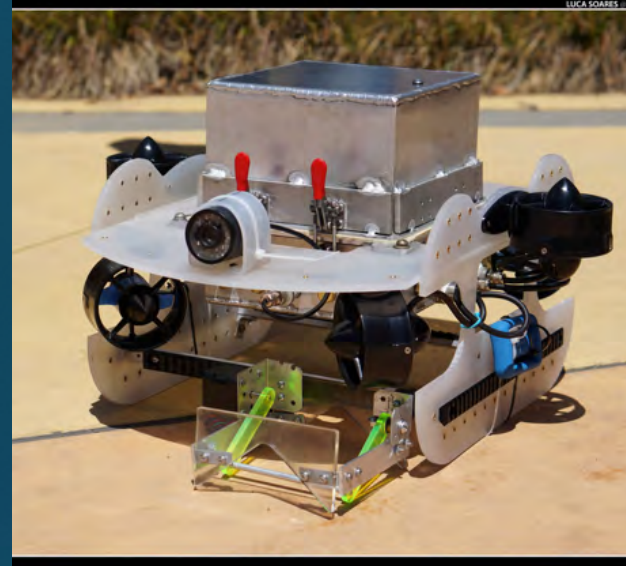
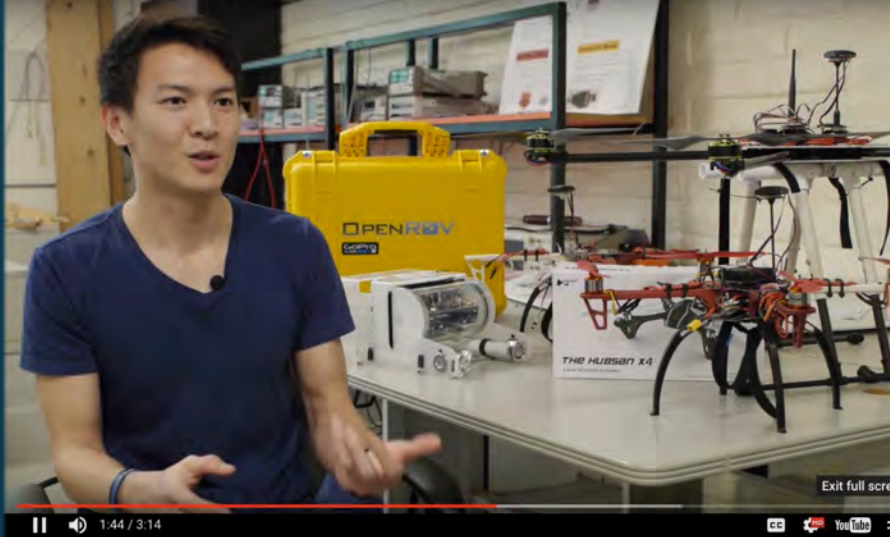


Other Underwater Projects



Underwater Technology

Cal Poly NGCP: Documentary



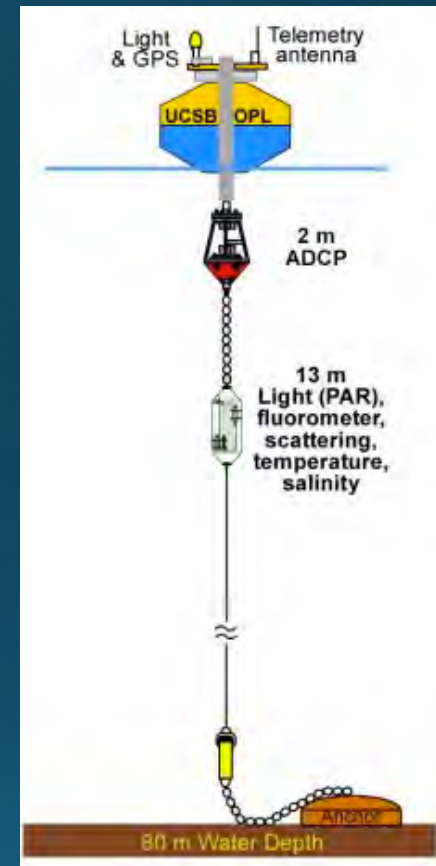
Underwater Technology



Underwater Technology



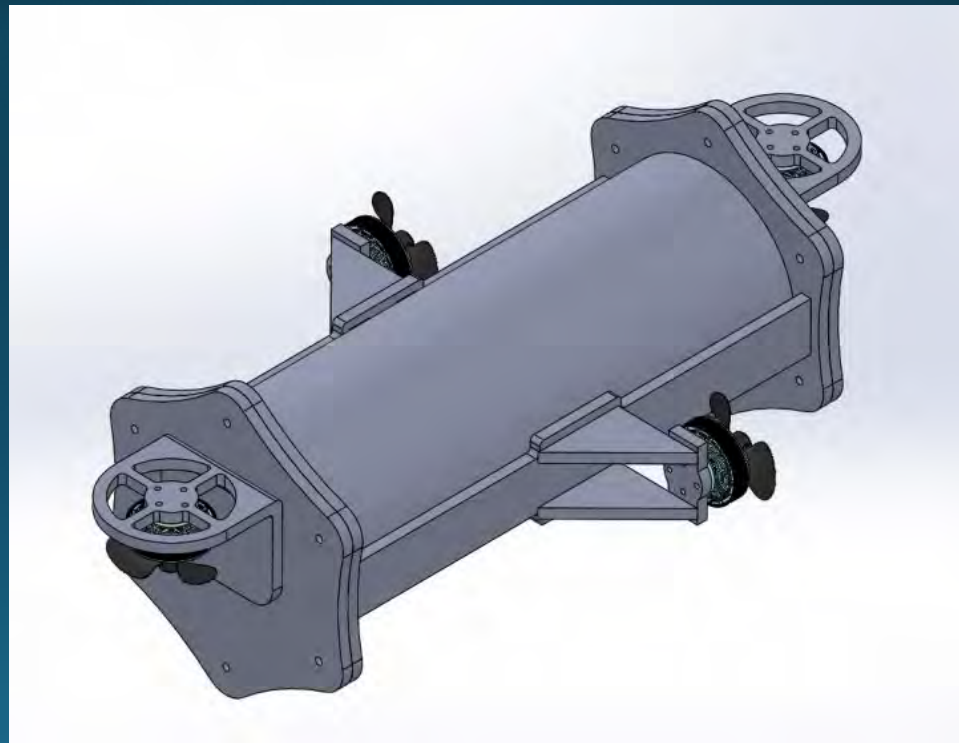
Underwater Technology



Underwater Technology

Contents of this class

- 9 (ish) weeks
- \$25 per person
- Teams of 5
- Hands on lab
- Wide breadth of skills
- Optional extra shop time



The plan

- Week 1: orientation / groups
- Week 2: Mechanical Design and assembly
- Weeks 3-4: Enclosure assembly and testing
- Week 5: Software
- Weeks 6-7: Electrical
- Week 8: Catch up
- Week 9: Pool Party!

Why am I doing this?

- Hands on skills
- Project experience
- Resume building for job prospects
- World domination?
- Fun!

Next week

- Bring your laptop!
- We will be learning SolidWorks sketching

Questions?